

OPERATION MANUAL

RG-9600 RELAY GROUP



PASCOM

Contents


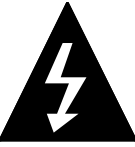

1. Unpacking and Installation -----	1
2. Features -----	2
3. Front Panel & Rear Panel Controls -----	3,4
4. Connections -----	5
5. Installation of Rack System -----	6
6. Specifications -----	7
7. Service -----	8
8. Warranty -----	8



Unpacking and Installation

Although it is neither complicated to install nor difficult to operate your set , a few minutes of your time is required to read this manual for a properly wired installation and becoming familiar with its many features and how to use them.

Please take a great care in unpacking our set and do not discard the carton and other packing materials. That may be needed when moving your set and are required if it ever becomes necessary to return your set for service. Never place the unit near radiators, in front of heating vents, excessive humid or dusty location to avoid early damage and for your years quality use. Connect your complementary component as illustrated in the following page.

 <p style="text-align: center;">CAUTION RISK OF ELECTRIC SHOCK DO NOT OPEN</p>	 <p>This symbol is intended to alert the user to the presence of uninsulated "dangerous voltage" within the product's enclosure that may be of sufficient magnitude to constitute a risk of electric shock to persons.</p>
<p>CAUTION : TO REDUCE THE RISK OF ELECTRIC SHOCK. DO NOT REMOVE COVER (OR BACK). NO USER-SERVICEABLE PARTS IN SIDE. REFER SERVICING TO QUALIFIED SERVICE PERSONNEL.</p>	 <p>This symbol is intended to alert the user to the presence of important operation and maintenance (servicing) instructions in the literature accompanying the appliance.</p> <p>Caution : To prevent electric shock do not use this (polarized) plug with an extension cord, receptacle or other outlet unless the blades can be fully inserted to prevent blade exposure.</p>
<p>WARNING</p> <p>To prevent fire or shock hazard, do not expose the unit to rain or moisture.</p>	<p>Attentions : Pour prevenir les chocs electriques ne pas utiliser cette fuche polarisee avec un prolongateur, une prise de courant on une autre soruie de courant, sauf si les lames peuvent etre inserees a fond sans en laisser aucune partie a decouvert.</p>

Features

- **SPEAKER LINE SWITCHING**

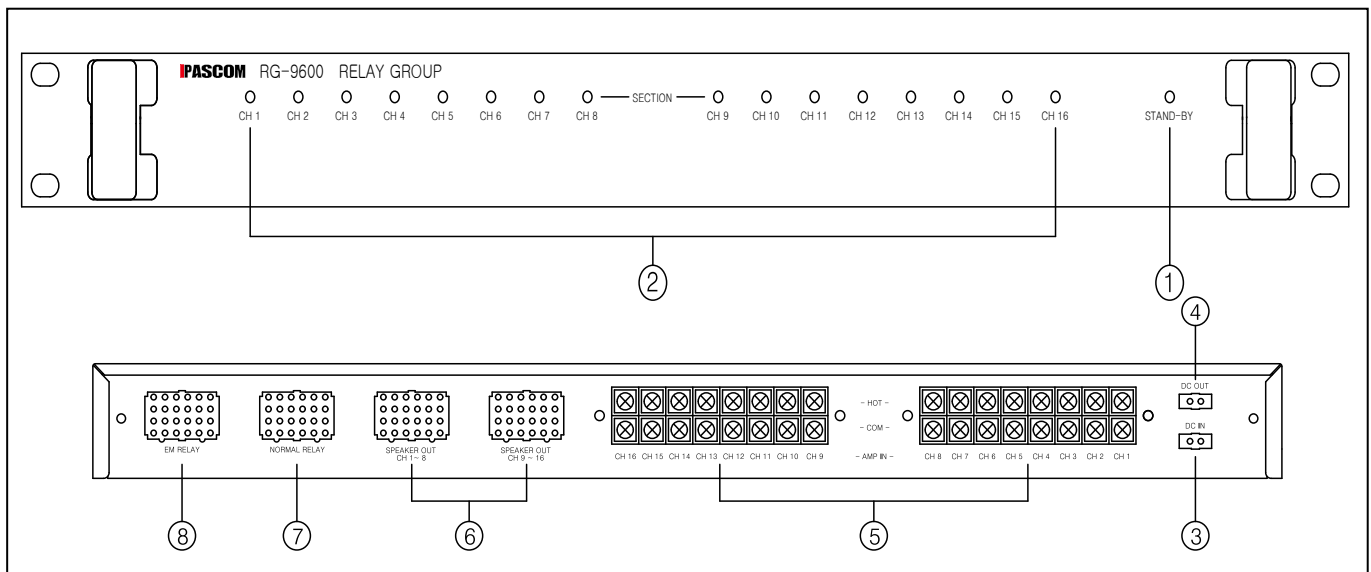
The speaker output is provided the emergency speaker lines of operating by emergency signal and the normal speaker lines of operating by normal signal.

- **BROADCASTING STATUS INDICATORS**

You can check easily the operating status by indicating LED.

- **This model should be used with concerning equipment (emergency switcher-our model ES-9600, matix-our model PX-9600, emergency microphone-our model EM-9600)**

Front Panel & Rear Panel Controls



1. POWER INDICATING LED

This LED indicates power is turned on.

2. BROADCASTING STATUS INDICATORS

This LED indicates display the broadcasting status.

3. DC 24V INPUT CONNECTOR

This is for connecting the DC 24V emergency power.

4. DC 24V OUTPUT CONNECTOR

This is for connecting to DC input connector of the next emergency model for extension.

5. AMP IN (HOT,COM) TERMINAL

The terminal which connects the HOT, COM of the main amplifier output.

6. SPEAKER OUTPUT CONNECTOR

The connector which connects the HOT, COM and EMG of the speaker.

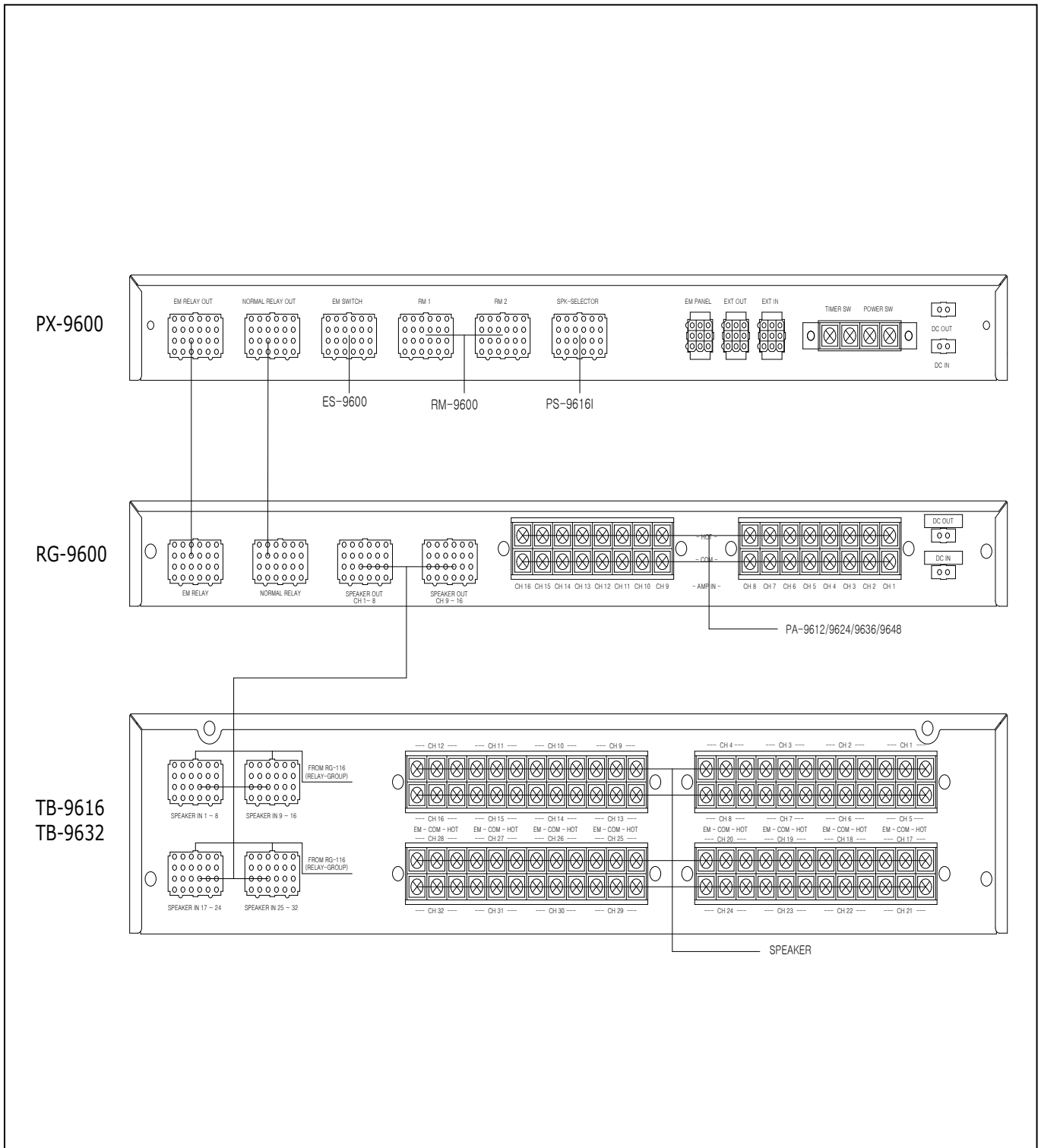
7. NORMAL RELAY CONNECTOR

This is for connecting the matrix (PX-9616 made by our company). It is connected with the normal relay connector in matrix.

8. EMERGENCY RELAY CONNECTOR

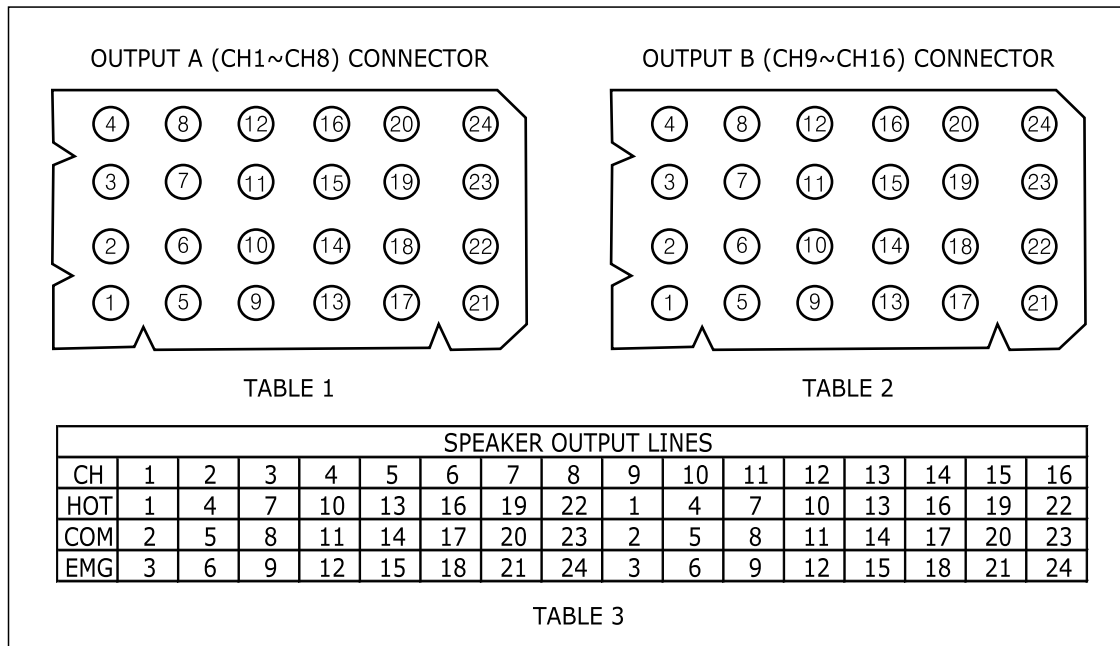
This is for connecting the matrix (PX-9616 made by our company). It is connected with the emergency relay connector in matrix.

Connections



Installation of Rack System

1. Turn-off the power before installation of the system.
2. Connect the normal relay and emergency relay connector on rear panel the emergency relay and normal relay connector of PX-9616 rear panel.
3. Connect the AMP IN (HOT) and the AMP IN (COM) with the amplifier output. Check the polarity before connection.
4. Connect the output A, B connector with the speaker after referring to the table 1, 2 and 3.



Specifications

- ELECTRICAL

- Speaker Switching 16 Line
- Line of Normal Relay 16 Line
- Line of Emergency Relay 16 Line

- GENERAL

- Power Source DC 24V
- Dimensions 482(W)×44(H)×280(D) mm
- Weight (Net) 5.1 kg

NOTE: Specifications and design subject to change without notice for improvement.

Service

Procedures

Ensure the problem is not related to operator error, or system devices that are external to this unit. Information provided in the troubleshooting portion of this manual may help with this process. Once it is certain that the problem is related to the product contact your warranty provider as described in the warranty section of this manual.

Schematic

A Schematic is available by contacting your warranty provider.

Parts List

A Parts List is available by contacting your warranty provider.

Warranty

Warranty terms and conditions vary by country and may not be the same for all products. Term and conditions of warranty for a given product may be determined first by locating the appropriate country which the product was purchased in, then by locating the product type. To obtain specific warranty information and available service locations contact PASCOM directly in Korea or the authorized PASCOM Distributor for your specific country or region.

IPASCOM

MADE IN KOREA
www.ipascom.com